

Delco

Circuit Diagrams



OF

THE 1918

AUTOMOBILE SYSTEMS

THE

Dayton Engineering Laboratories Co.

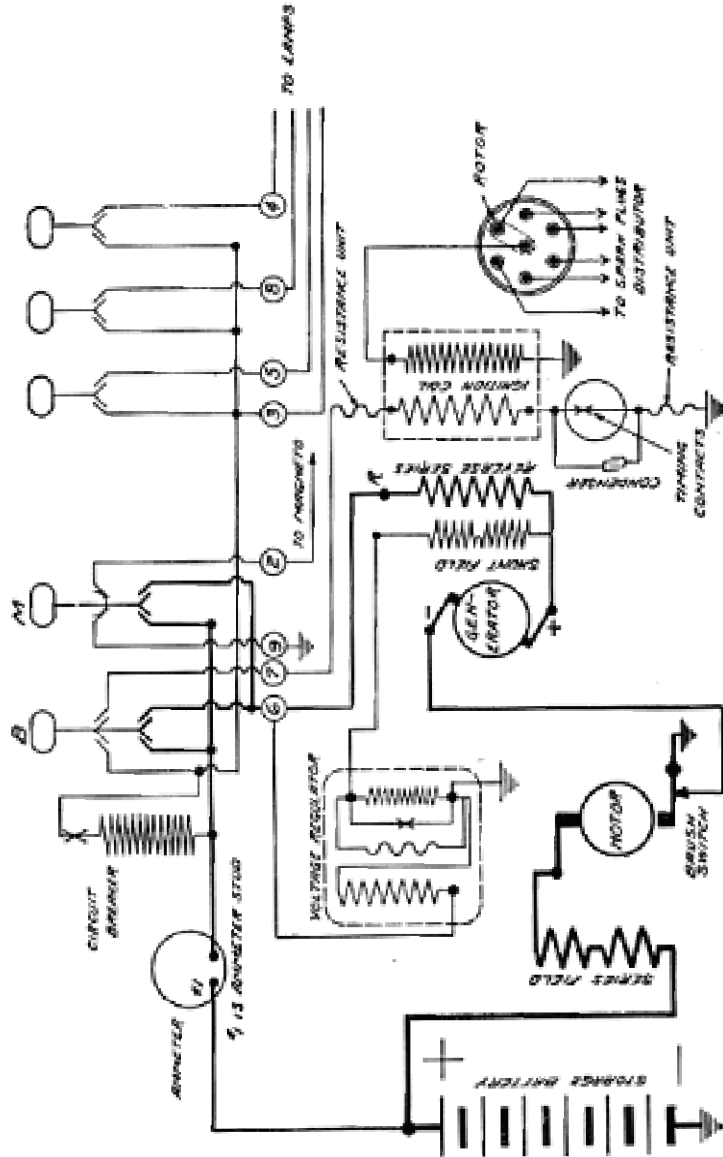
DAYTON, OHIO

The circuit diagrams in this section of the Delco Service Manual covers all of the 1918 apparatus. In some instances the motor car companies have continued to use the same system during the 1918 season as was used in 1917, and their models may not know as their 1918 model.

INDEX

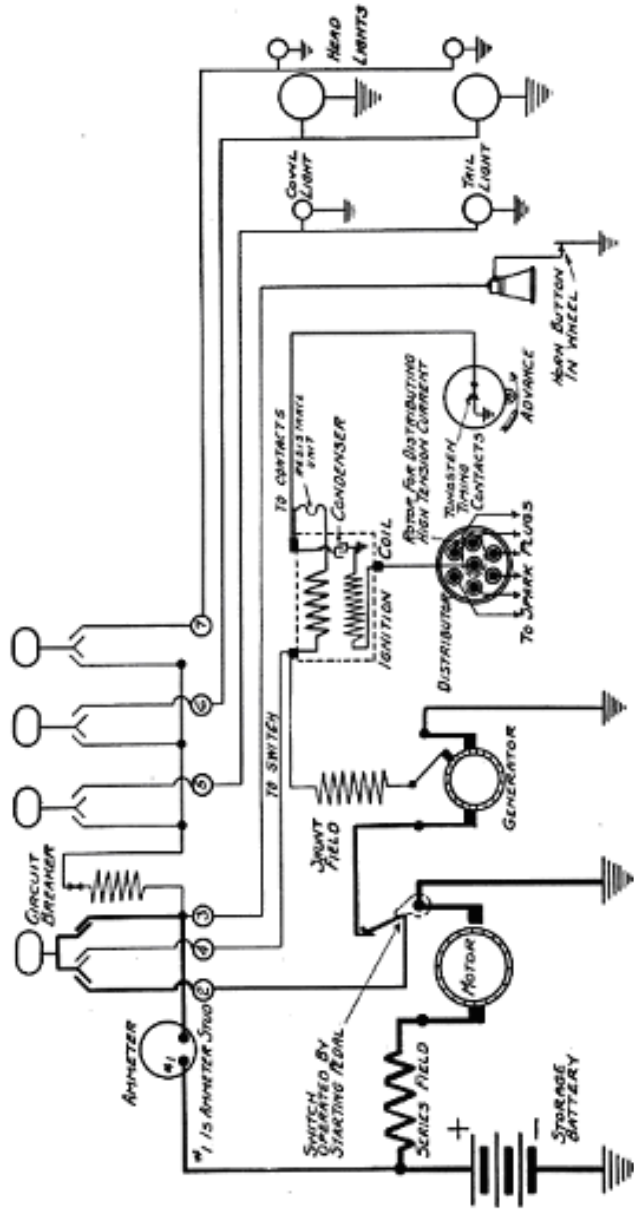
	Page
Ahrens-Fox Fire Engine Company	4
Auburn Automobile Company	5
Buick Motor Car Company	6-7
Cadillac Motor Car Company	8
Cole Motor Car Company	9
The James Cunningham, Son Company	10
Geo. W. Davis Motor Car Company	11-12
Geronimo Motor Car Company	13
Hudson Motor Car Company	14
The Jordan Motor Car Company	15
Meteor Motor Car Company	16-17
Michigan Hearse and Motor Company	18-19
Moon Motor Car Company	20-21
The Nash Motors Company	22-23
The National Motor Car & Vehicle Corp	24-25
Olds Motor Works	26
Packard Motor Car Company	27
W. A. Paterson Company	28
Pilot Motor Car Company	29
Riddle Coach & Hearse Company	30-31
Sayers & Scoville Company	32-33
Stephens Motor Branch of Moline Plow Company	34
Stutz Motor Car Company of America	35
Texas Motor Car Association	36
Tulsa Automobile Corporation	37
Westcott Motor Car Company	38-39

AHRENS-FOX FIRE ENGINE COMPANY



- 79 Motor Generator
- 2122 Ignition Coil
- 1063 Combination Switch
- 5131 Distributor (4 cyl.)
- 5132 Distributor (6 cyl.)
- 5712 Voltage Regulator
- 10800 Motor Clutch

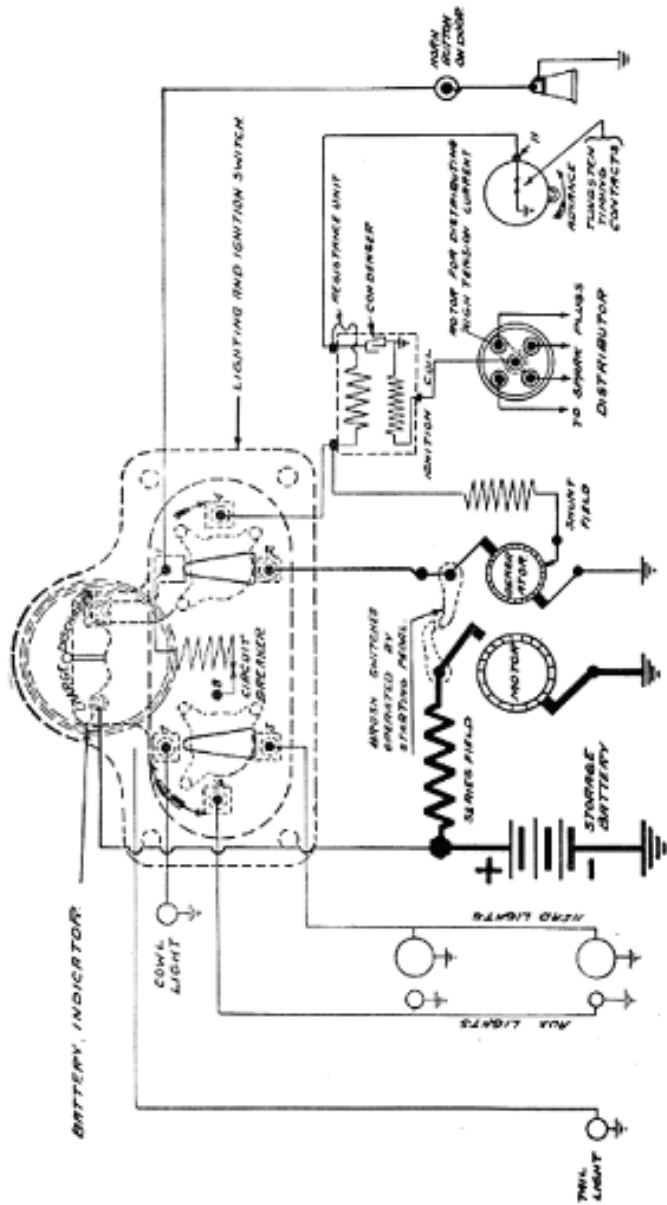
AUBURN AUTOMOBILE COMPANY—MODEL 6-44



83 Motor Generator
1104 Combination Switch

2142 Ignition Coil
12225 Motor Clutch

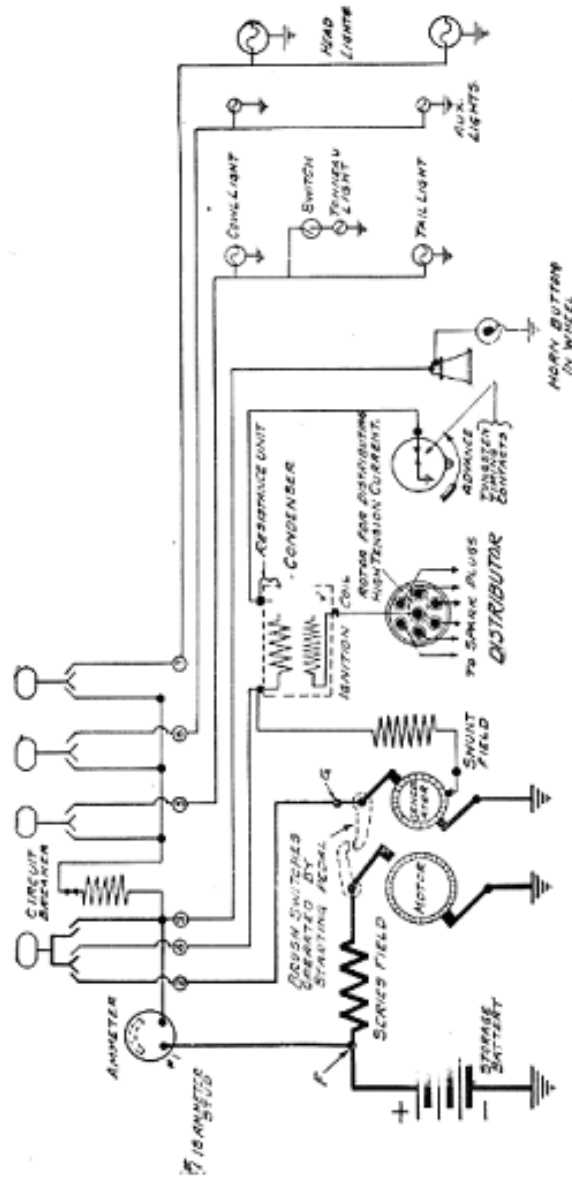
BUICK MOTOR COMPANY—MODELS E-34-35 and E-4 TRUCK



121 Motor Generator
12647 Motor Clutch

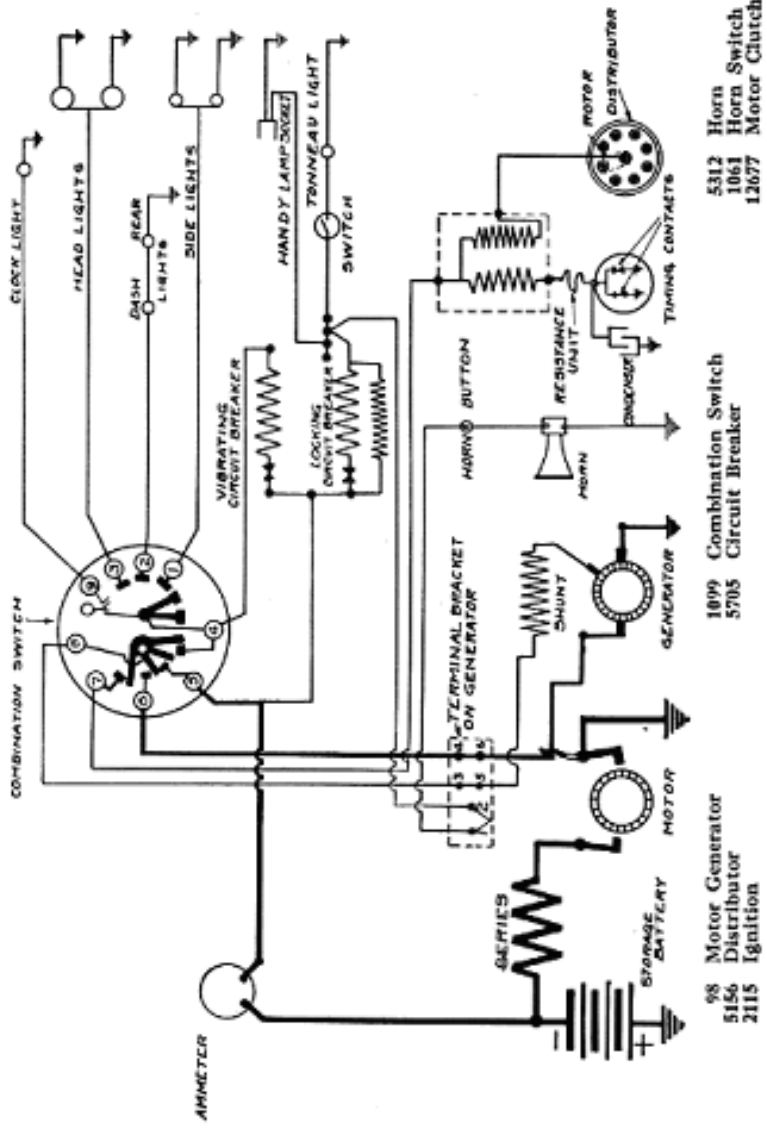
2157 Ignition Coil
1095 Combination Switch

BUICK MOTOR COMPANY—MODELS E-44-45-47-49 and 50



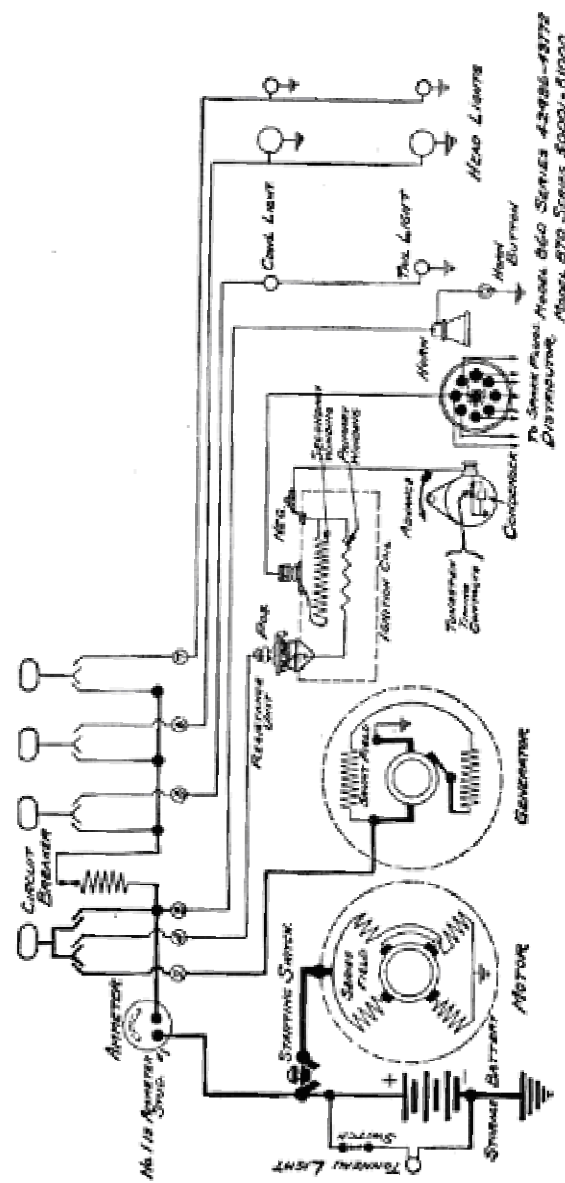
- 117 Motor Generator
- 1224 Motor Clutch
- 1103 Combination on E-49 and 50
- 1104 Combination Switch on E-44-47
- 2157 Ignition Coil

CADILLAC MOTOR CAR COMPANY—MODEL 55



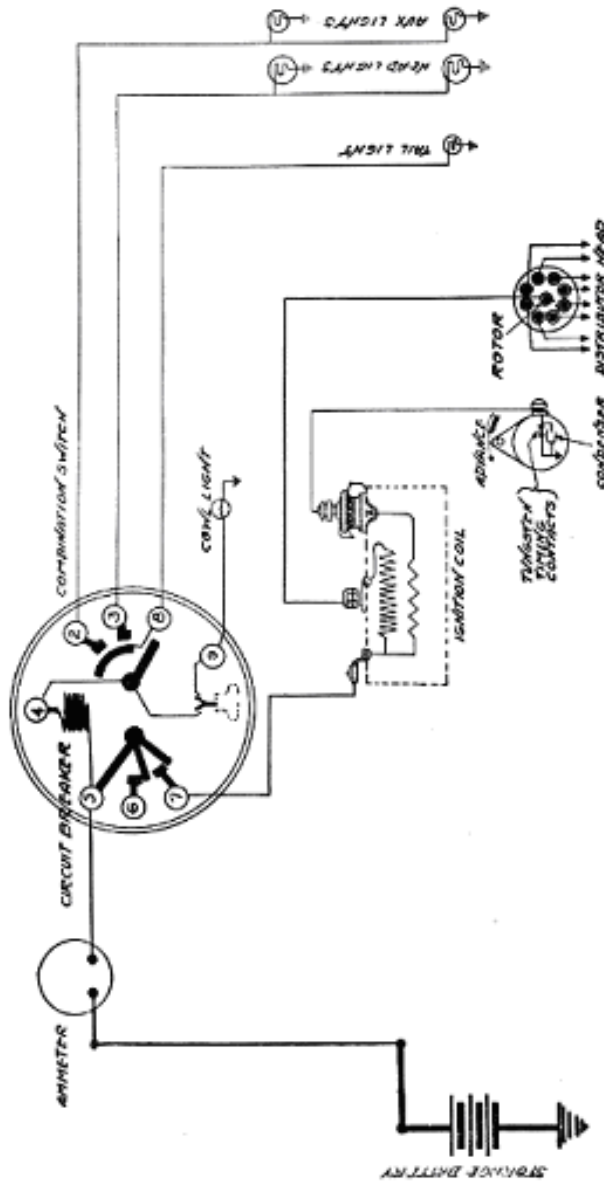
- 98 Motor Generator
- 5156 Distributor
- 2115 Ignition
- 1099 Combination Switch
- 5705 Circuit Breaker
- 5312 Horn
- 1061 Horn Switch
- 12677 Motor Clutch

COLE MOTOR CAR COMPANY—MODEL 860 and 870



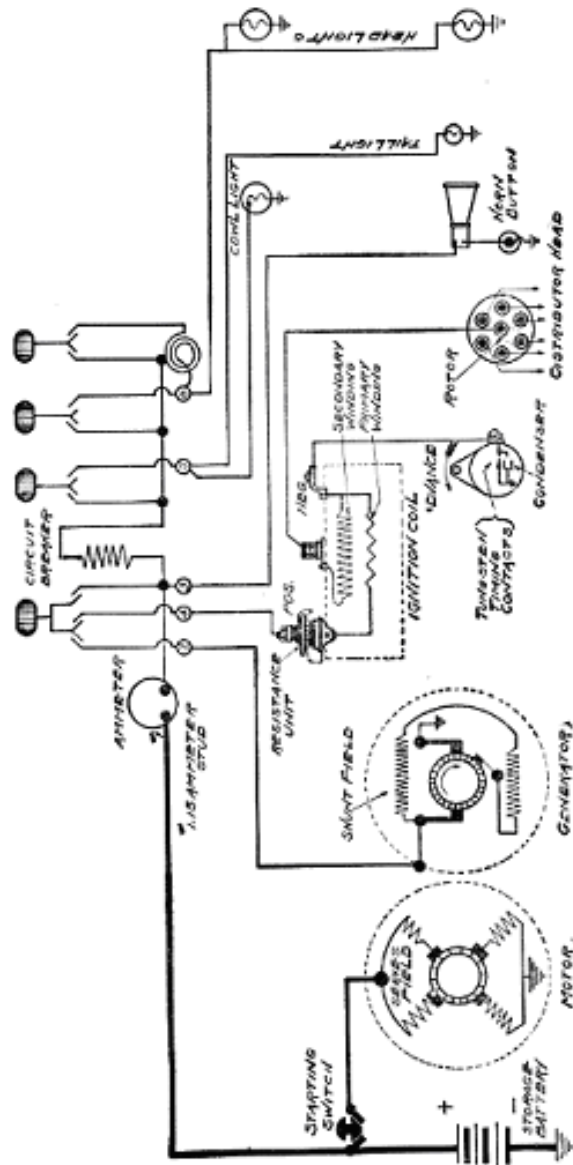
Model 860 Uses 131 Generator 5159 Distributor 1087 Combination Switch 1963 Motor Switch
 Model 870 Uses 138 Generator 5193 Distributor 1107 Combination Switch 1966 Motor Switch
 2162 Ignition Coil and 72 Motor Used on both Models

THE JAMES CUNNINGHAM, SON & COMPANY—MODEL V-3



5178 Distributor 2162 Ignition Coil 1119 Combination Switch

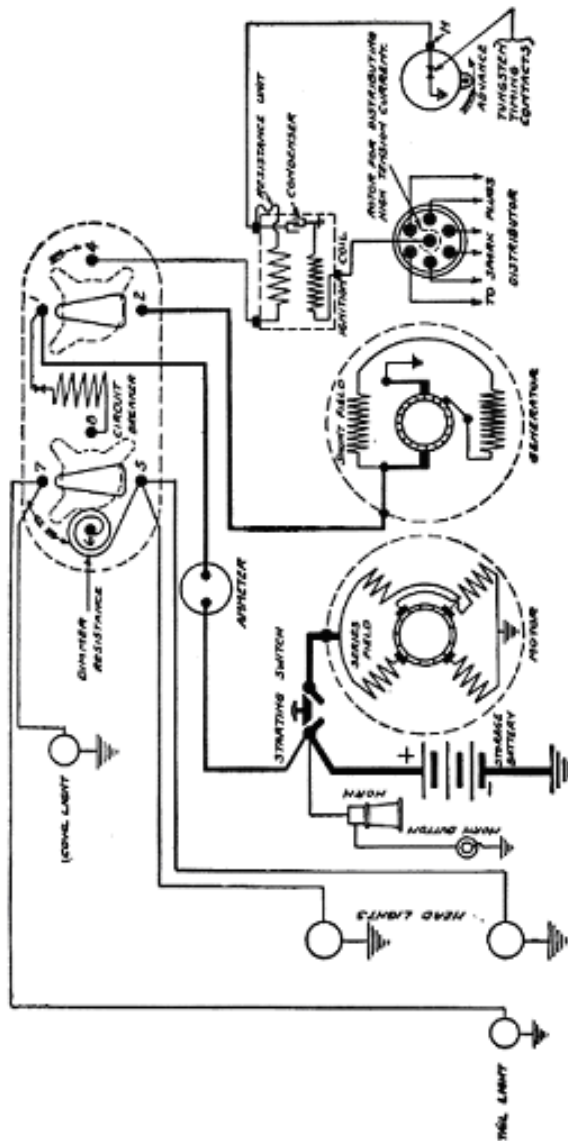
GEO. W. DAVIS MOTOR CAR COMPANY—MODEL 6-J



- 1105 Combination Switch
- 136 Motor
- 1966 Motor Switch

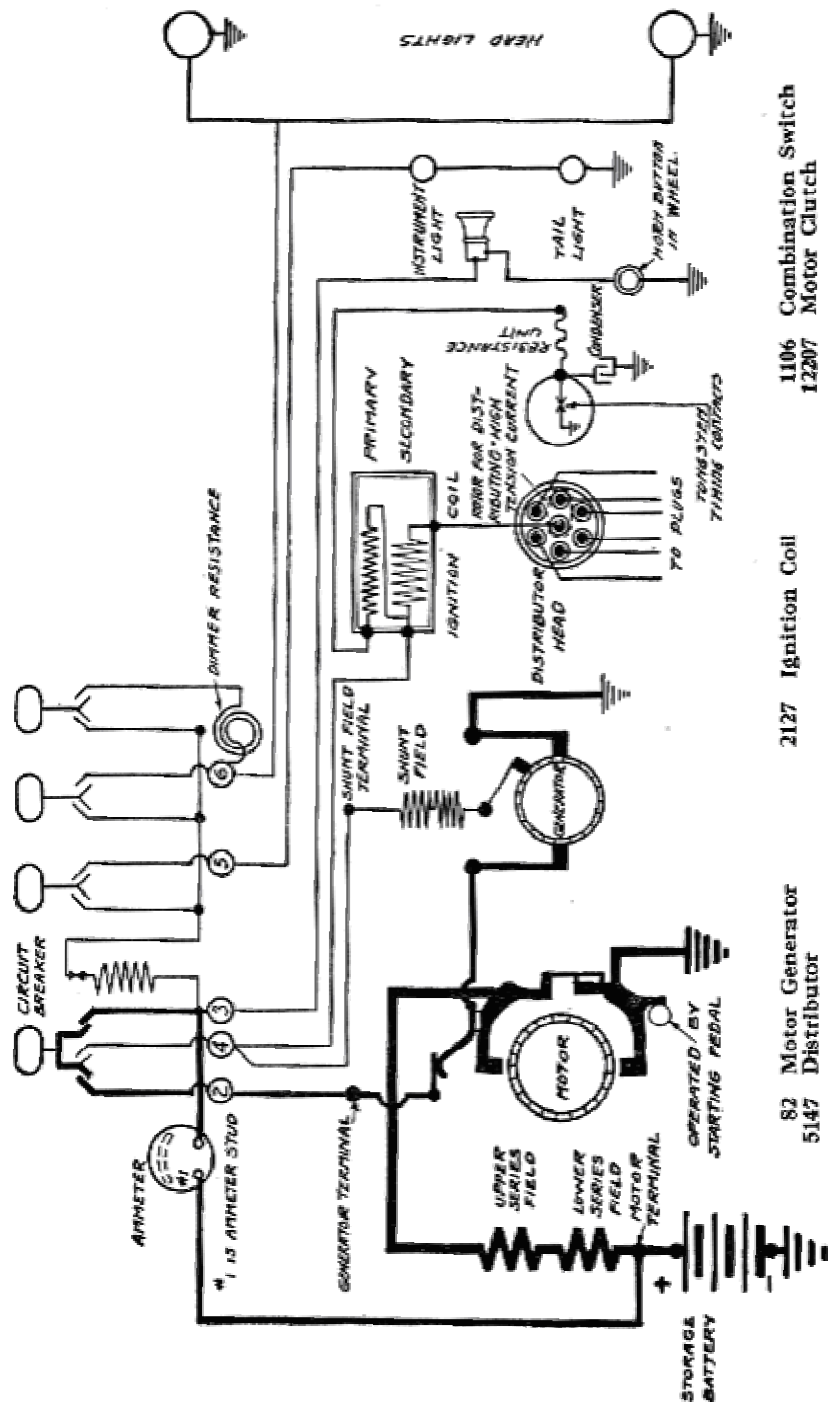
- 135 Generator
- 5175 Distributor
- 2159 Ignition Coil

GEO. W. DAVIS MOTOR CAR CO.—MODELS 6-H, 6-I, 6-K



- 105 Generator
- 1105 Combination Switch
- 2158 Ignition Coil
- 106 Motor
- 1966 Motor Switch

HUDSON MOTOR CAR COMPANY—SUPER SIX MODEL

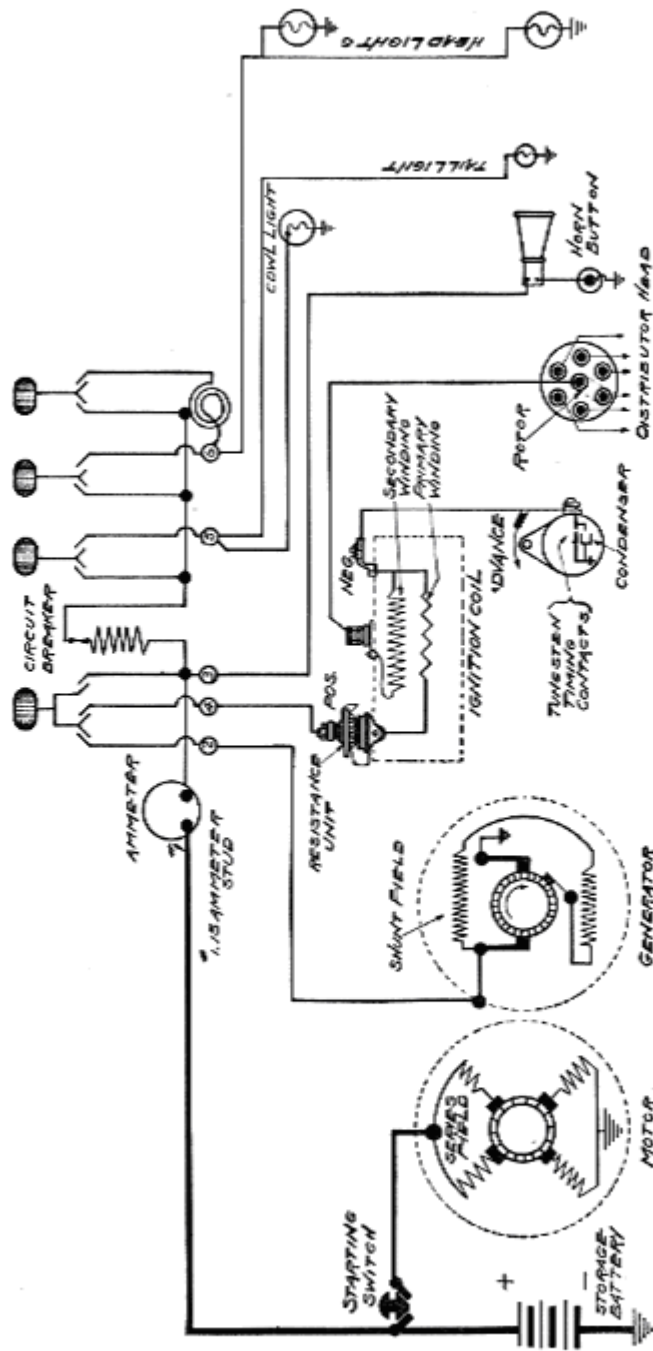


1106 Combination Switch
12207 Motor Clutch

2127 Ignition Coil

82 Motor Generator
5147 Distributor

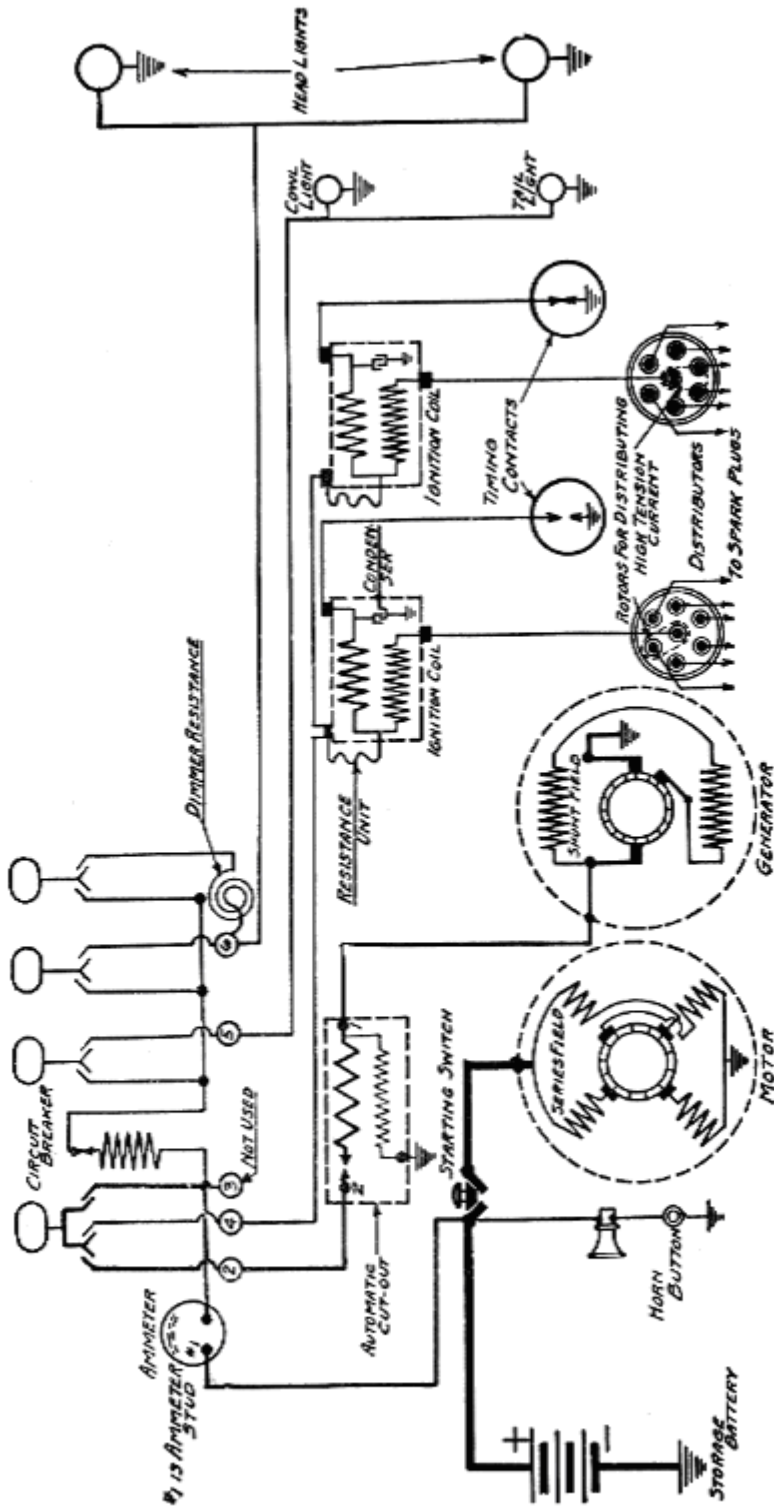
METEOR MOTOR CAR COMPANY—MODELS 75-80-82-90-91-92



1105 Combination Switch
 136 Motor
 1964 Motor Switch

135 Generator
 5175 Distributor
 2159 Ignition Coil

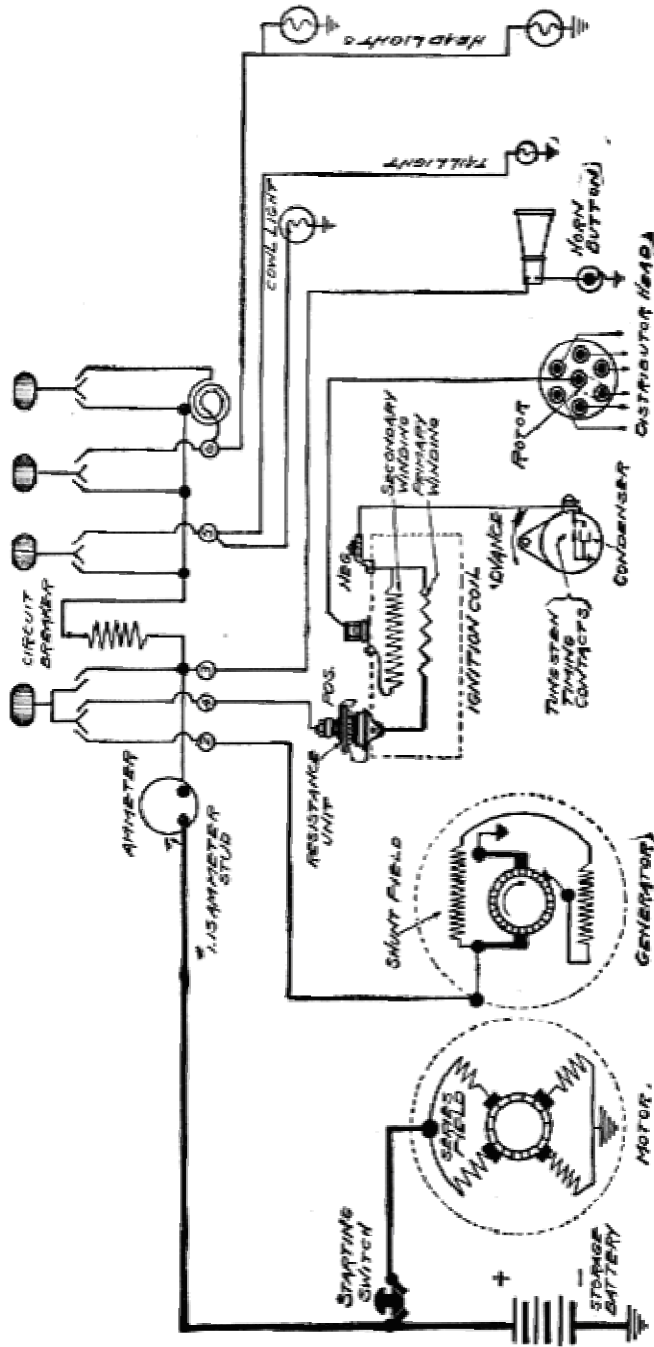
METEOR MOTOR CAR COMPANY—MODEL 75-A-80-A



1105 Combination Switch
 86 Motor
 1965 Motor Switch

87 Generator
 5156 Distributor
 2123 Ignition Coil (2)

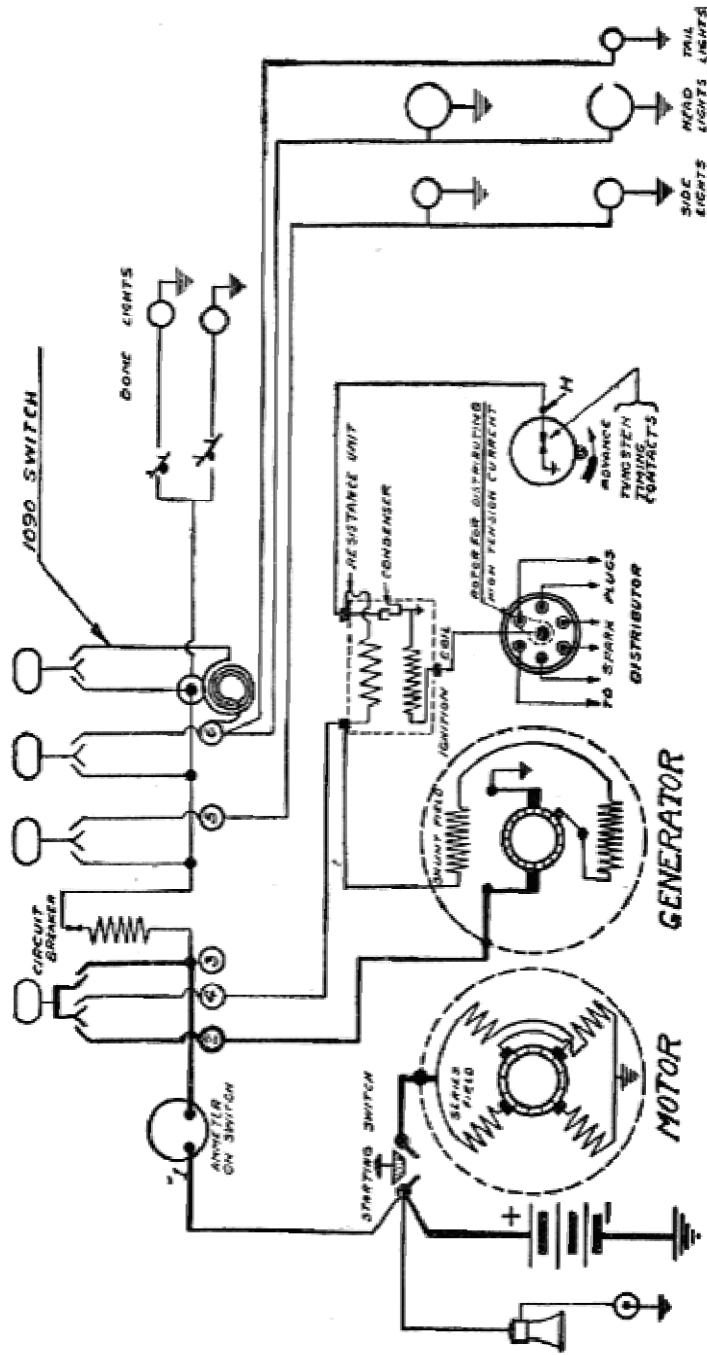
MICHIGAN HEARSE AND MOTOR COMPANY—MODEL "Big Six"



- 1090 Combination Switch
- 136 Motor
- 1965 Motor Switch

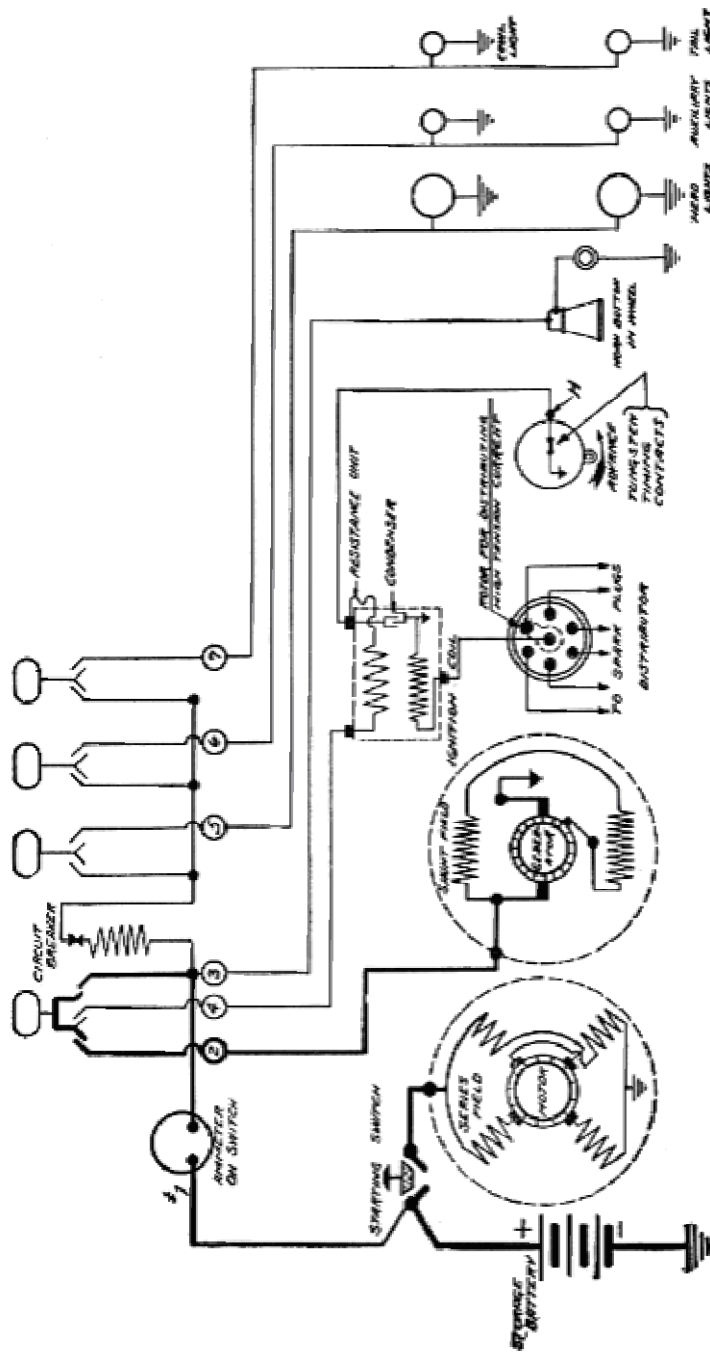
- 135 Generator
- 5175 Distributor
- 2159 Ignition Coil

MICHIGAN HEARSE AND MOTOR COMPANY—MODEL "Light Six"



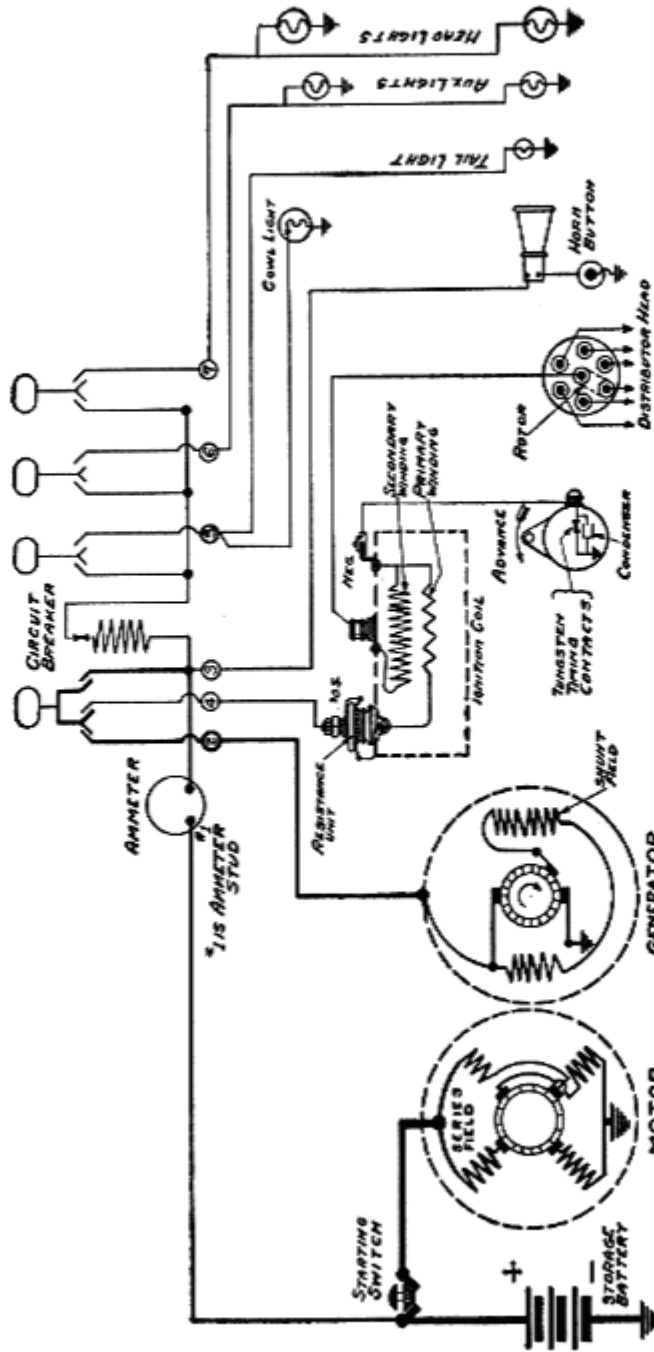
- 105 Generator
- 1090 Combination Switch
- 2158 Ignition Coil
- 106 Starting Motor
- 1094 Motor Switch
- 101 Generator and 102 Motor used on "BIG SIX" chassis

MOON MOTOR CAR COMPANY—MODEL 6-66 and 6-45



- 101 Generator
- 5158 Distributor
- 2158 Ignition Coil
- 105 Generator and 106 motor used on Model 6-45
- 1113 Combination Switch
- 102 Motor
- 1964 Motor Switch

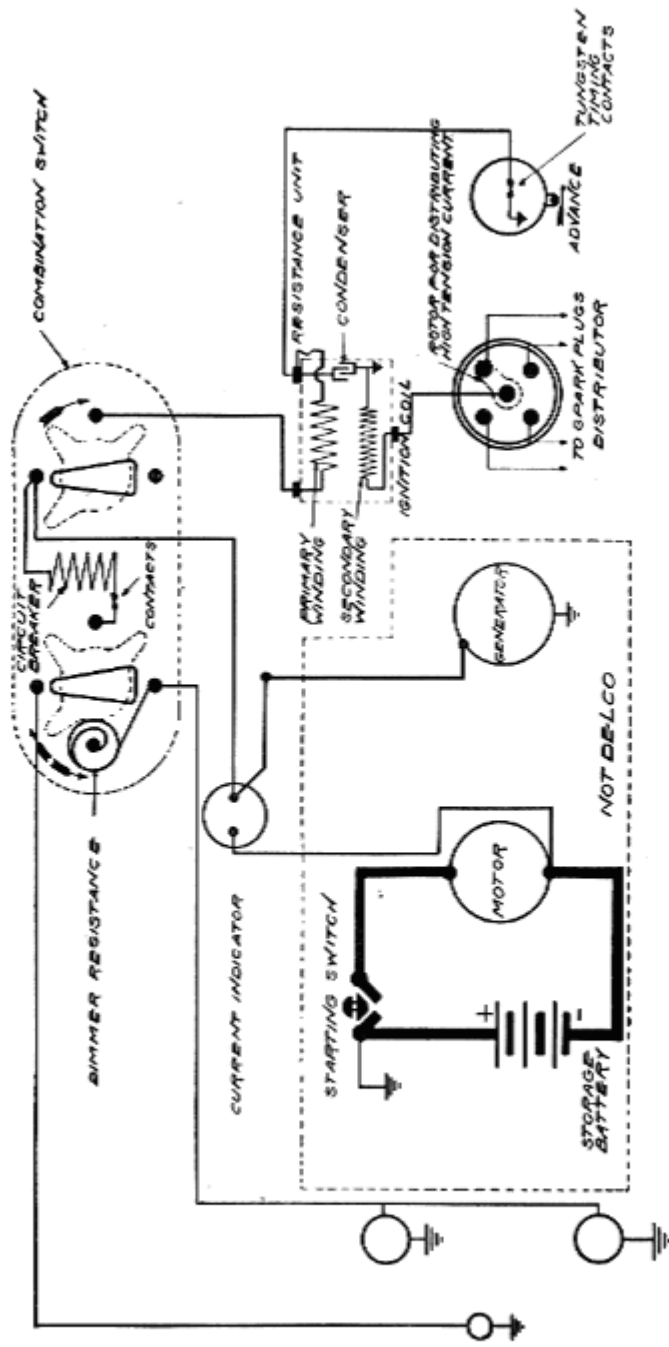
THE NASH MOTORS COMPANY—MODEL 681-682



1118 Combination Switch
 126 Motor
 1966 Motor Switch

125 Generator
 5169 Distributor
 2163 Ignition Coil

THE NASH MOTORS COMPANY—MODEL TRUCK

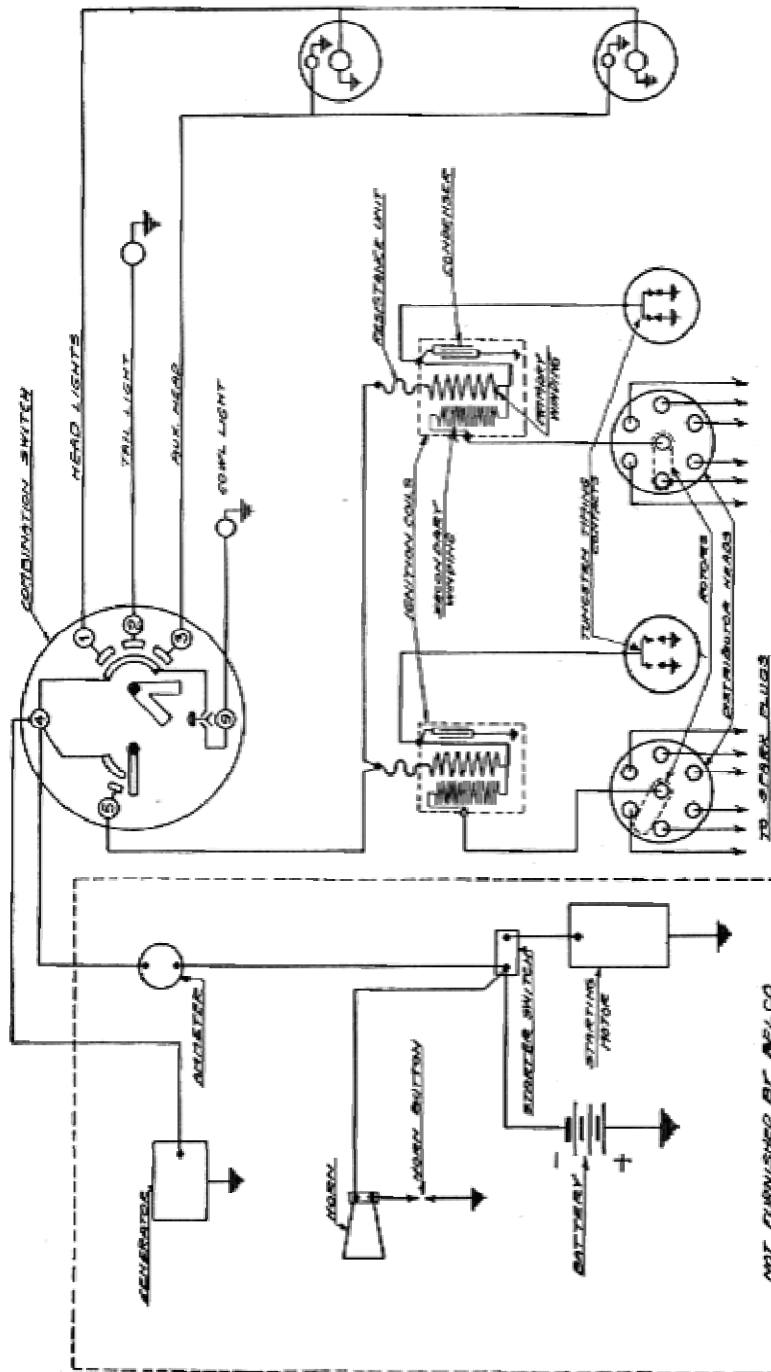


5164 Distributor

2155 Ignition Coil

1078 Combination Switch

THE NATIONAL MOTOR CAR & VEHICLE CORP.
 SERIES—A-K

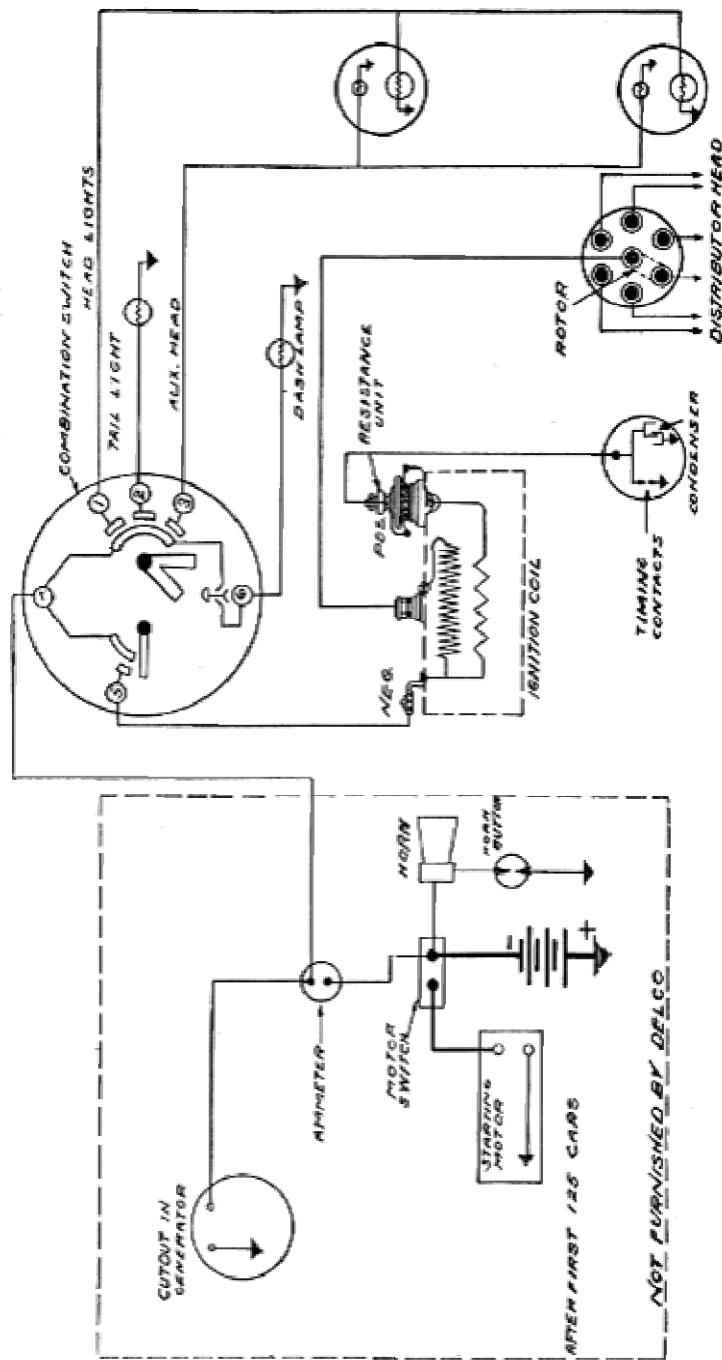


1088 Combination Switch

2159 Ignition Coil (2)

5162 Distributor

THE NATIONAL MOTOR CAR & VEHICLE CORP.
 SERIES—A. F. 3

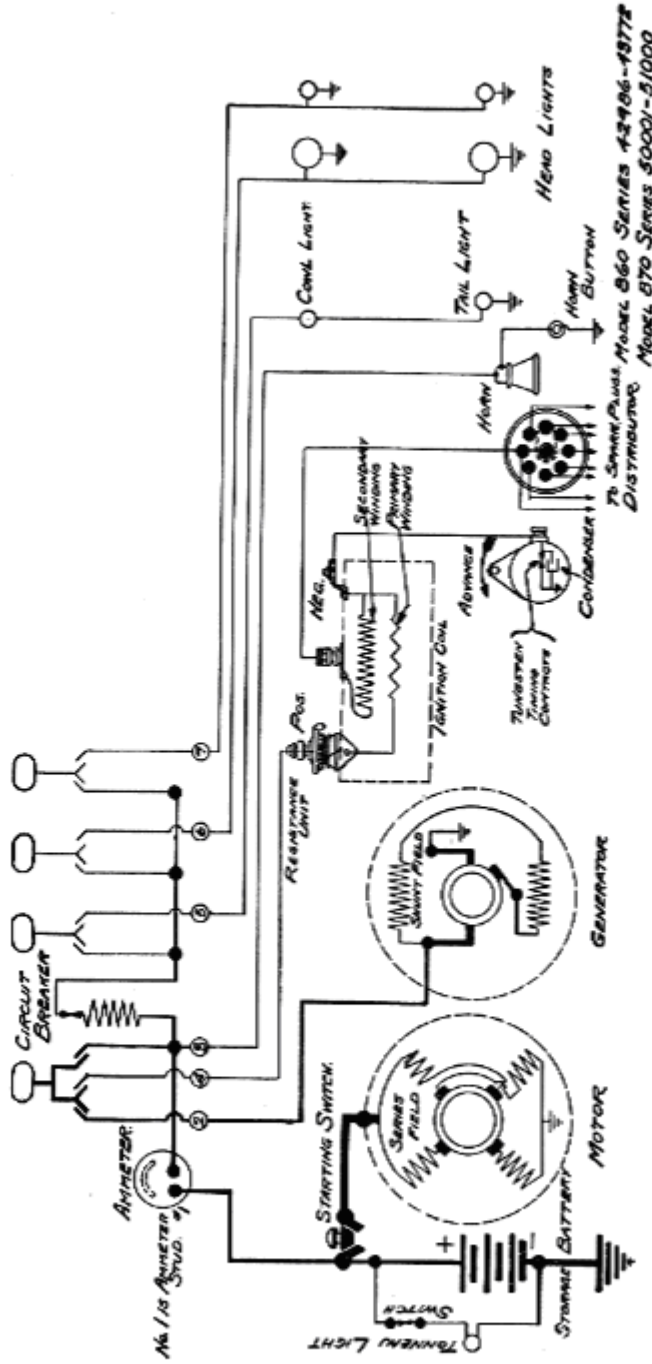


5175 Distributor

2159 Ignition Coil

1088 Combination Switch

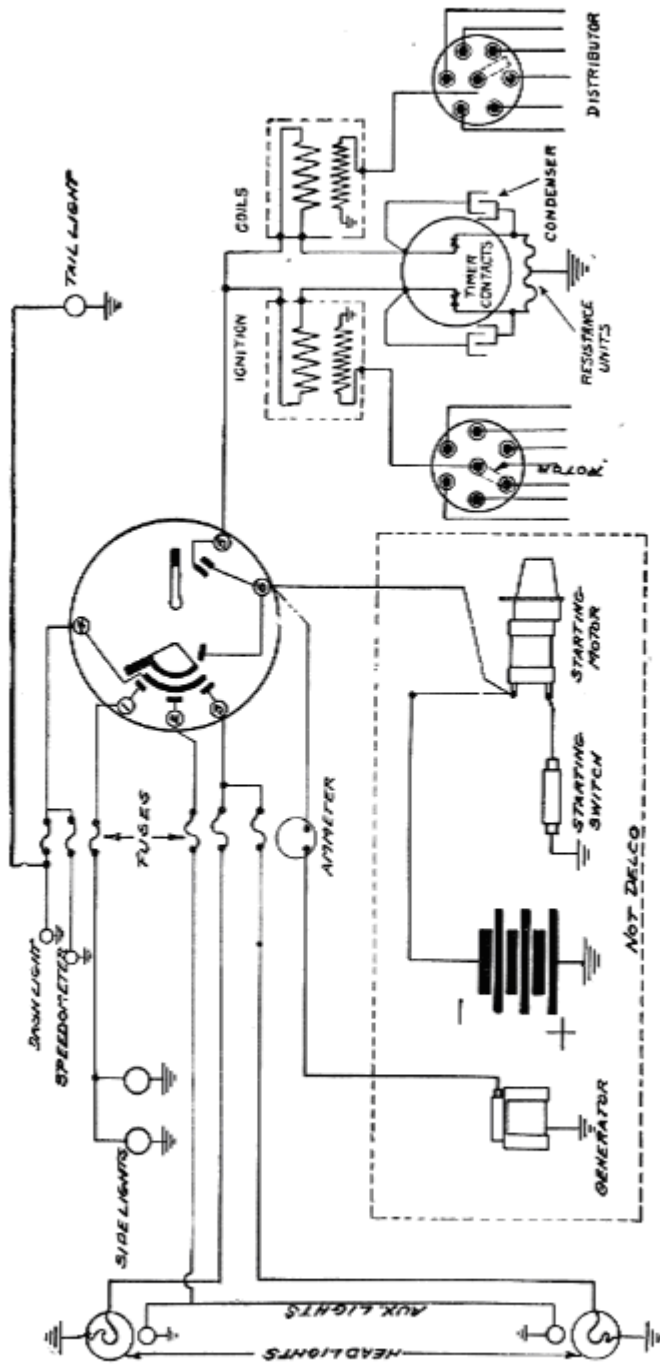
OLDS MOTOR WORKS—MODEL 45-A



- 134 Generators 137
- 5174 Distributors 5183
- 2162 Ignition Coil

- 1104 Combination Switch
- 72 Motor
- 1966 Motor Switch

PACKARD MOTOR CAR COMPANY—MODEL 325-335

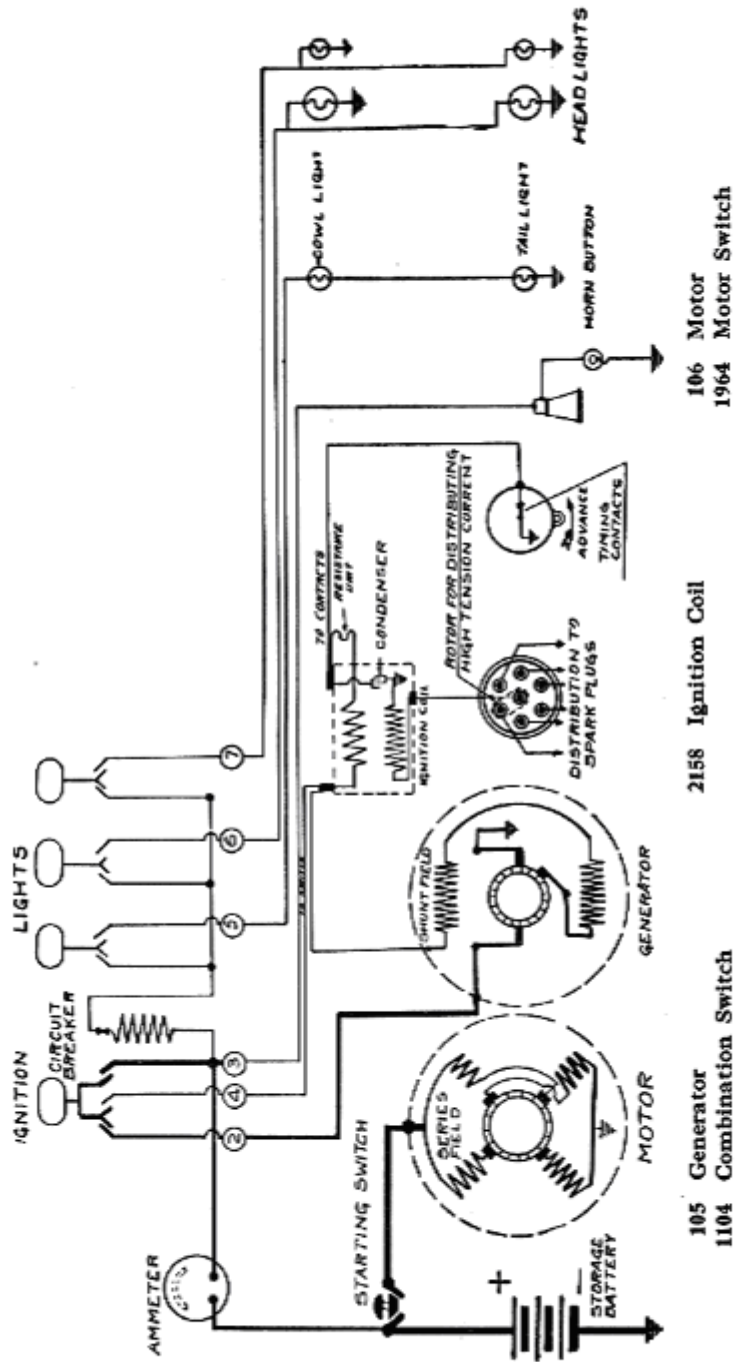


5161 Distributor

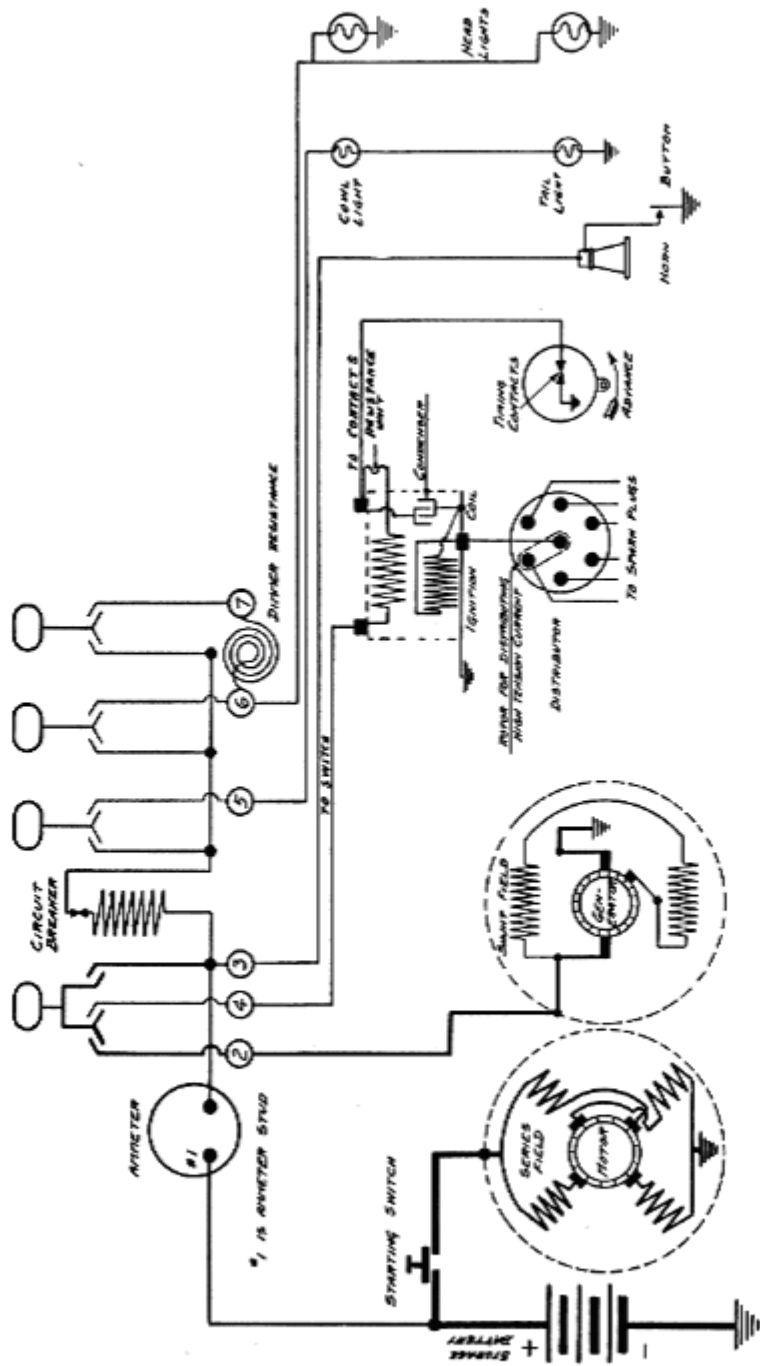
2150 Ignition Coil (2)

1092 Combination Switch

W. A. PATERSON COMPANY—MODELS 6-45 & 6-45-R.

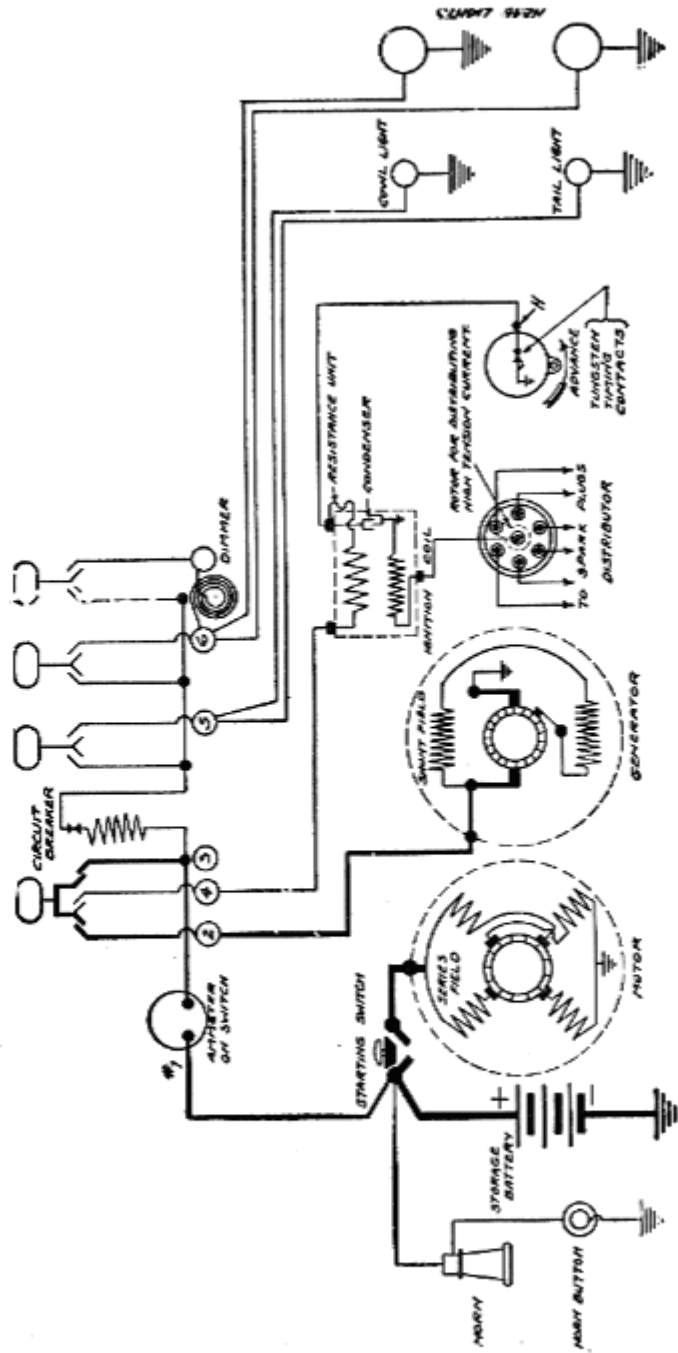


PILOT MOTOR CAR COMPANY—MODEL 6-45 1917



103 Generator 1105 Combination Switch 2158 Ignition Coil 104 Motor 1965 Motor Switch

RIDDLE COACH AND HEARSE COMPANY—1917 MODEL

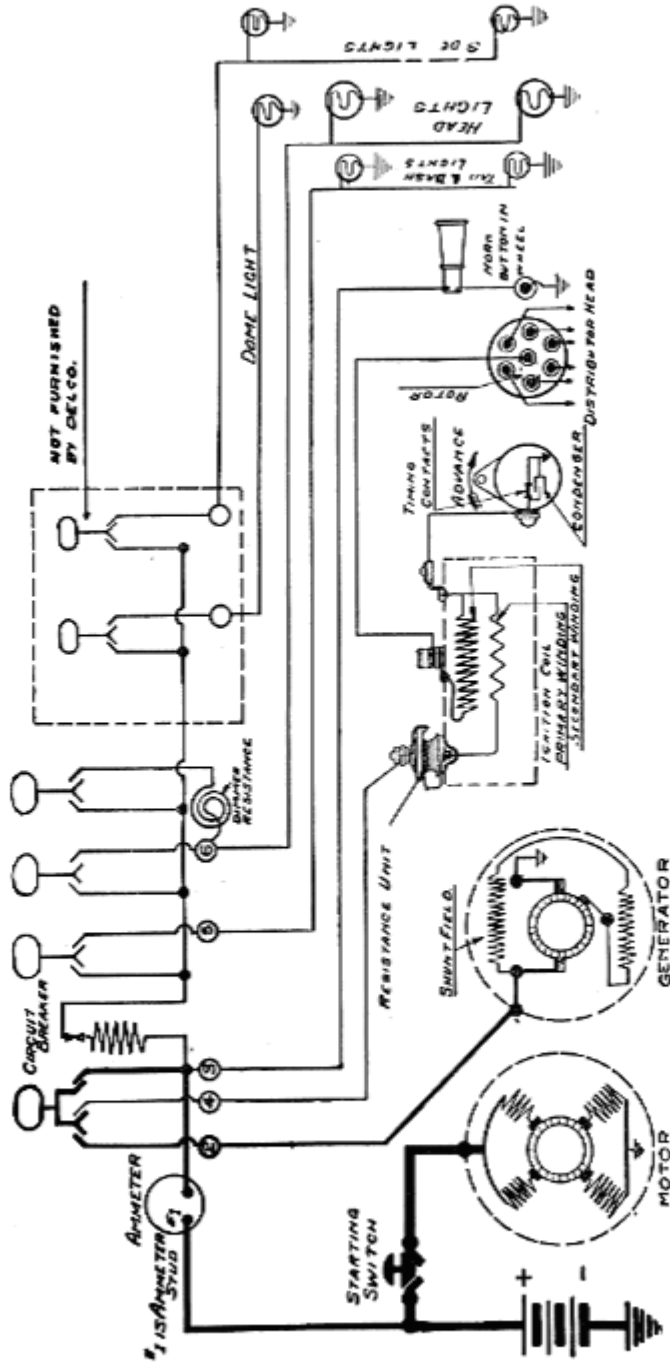


2158 Ignition Coil
103 Motor

101 Generator
1067 Combination Switch

1964 Motor Switch

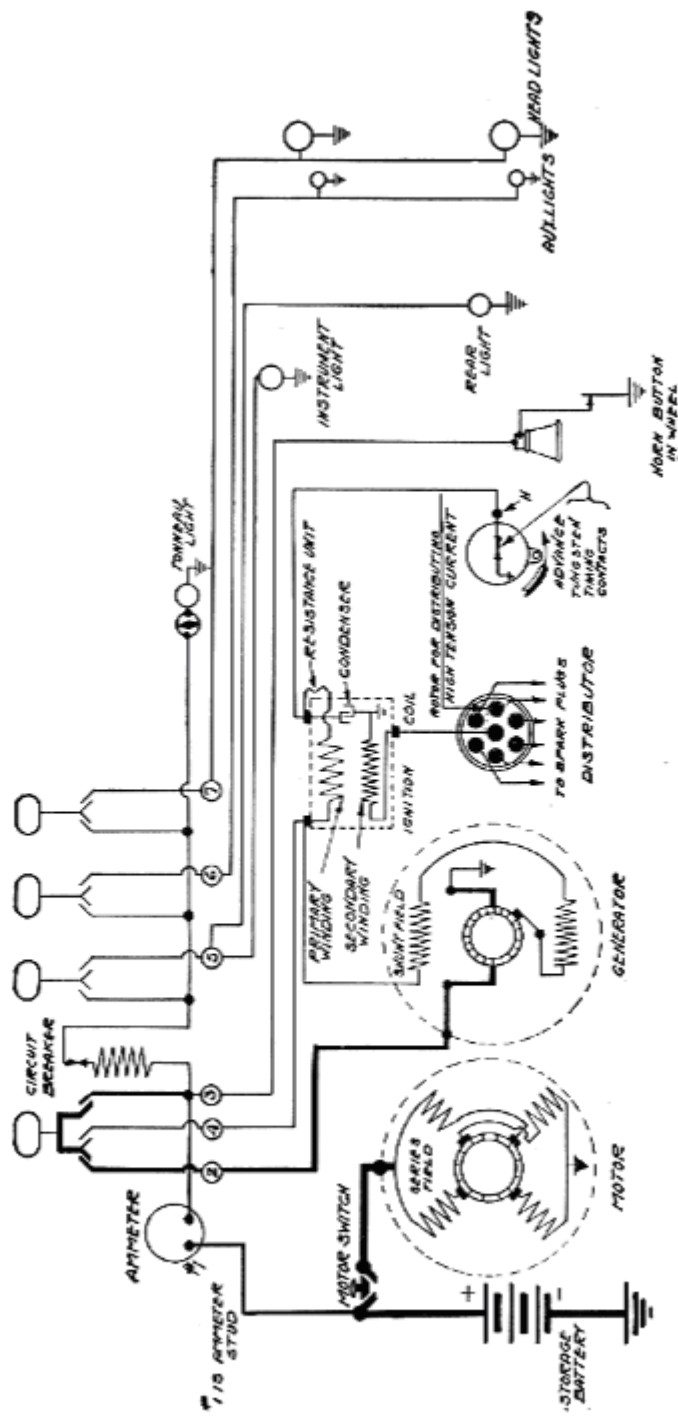
RIDDLE COACH AND HEARSE COMPANY—MODEL 19



- 1067 Combination Switch
- 136 Motor
- 1905 Motor Clutch

- 135 Generator
- 5175 Distributor
- 2159 Ignition Coil

SAYERS & SCOVILLE COMPANY—MODEL 1918
1918 TOURING MODEL

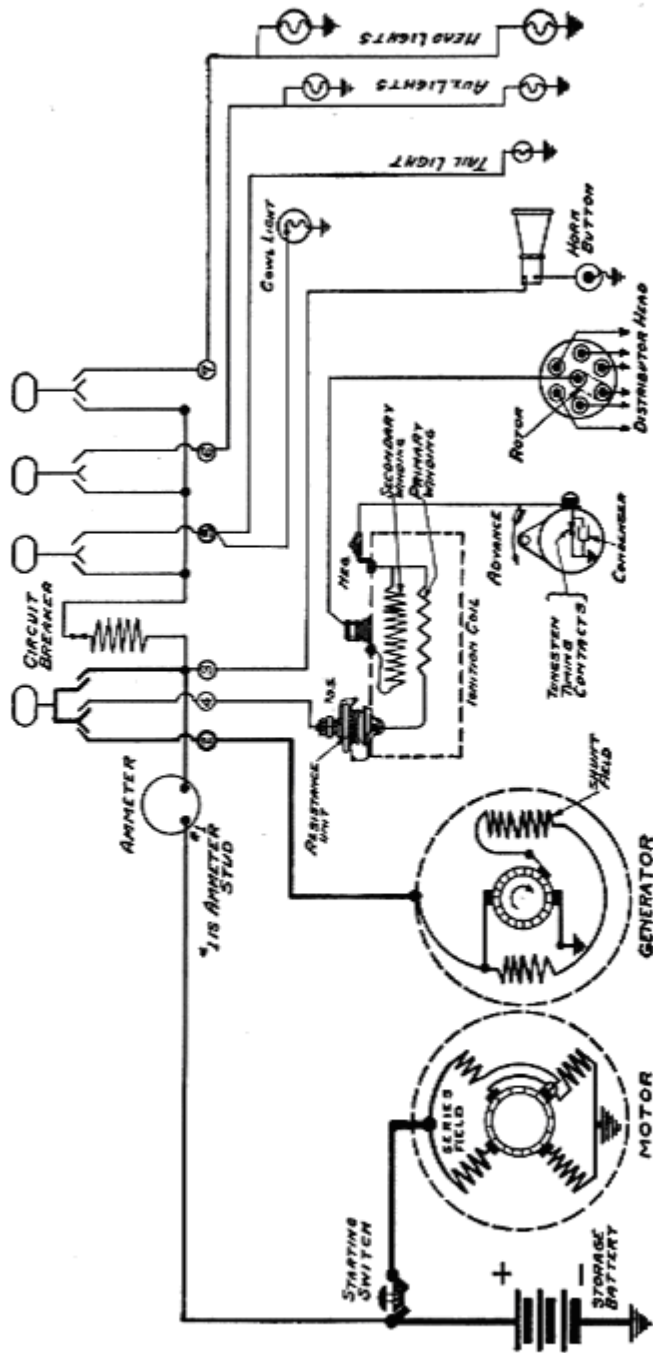


105 Generator
2158 Ignition Coil

1104 Combination Switch

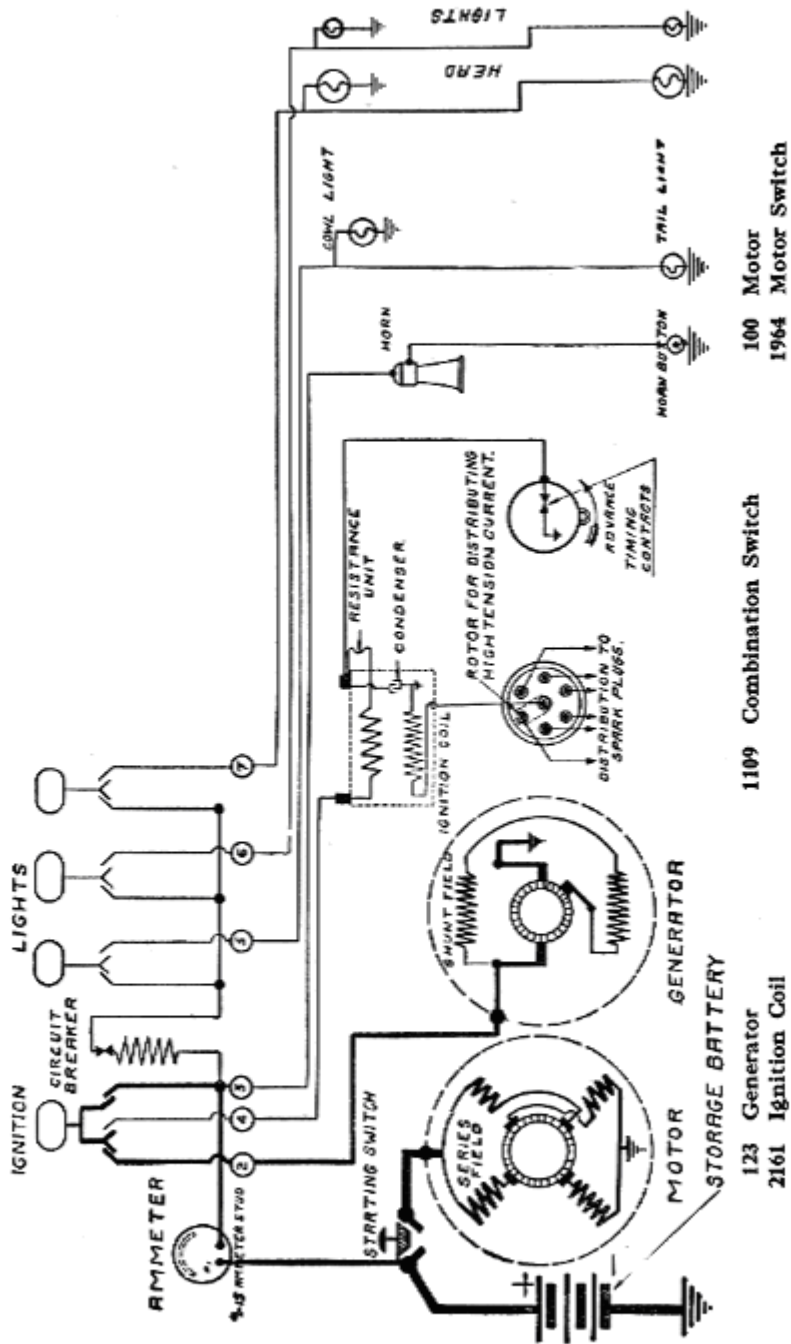
106 Motor
1965 Motor Clutch

SAYERS & SCOVILLE COMPANY—MODEL 1918

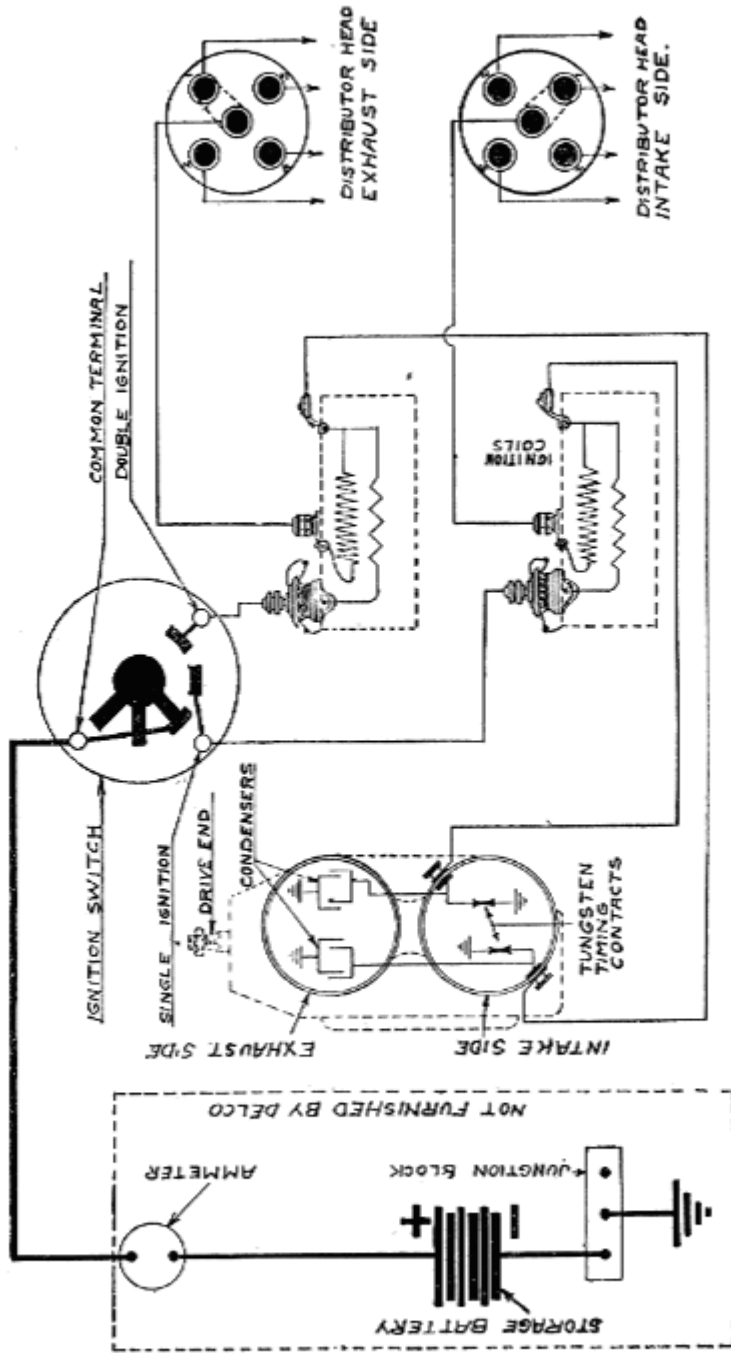


- 1104 Combination Coil
- 135 Generator
- 136 Motor
- 5175 Distributor
- 2159 Ignition Coil
- 1965 Motor Switch

STEPHENS MOTOR BRANCH OF MOLINE PLOW CO.
MODEL 70-75



STUTZ MOTOR CAR COMPANY OF AMERICA—MODEL 1918

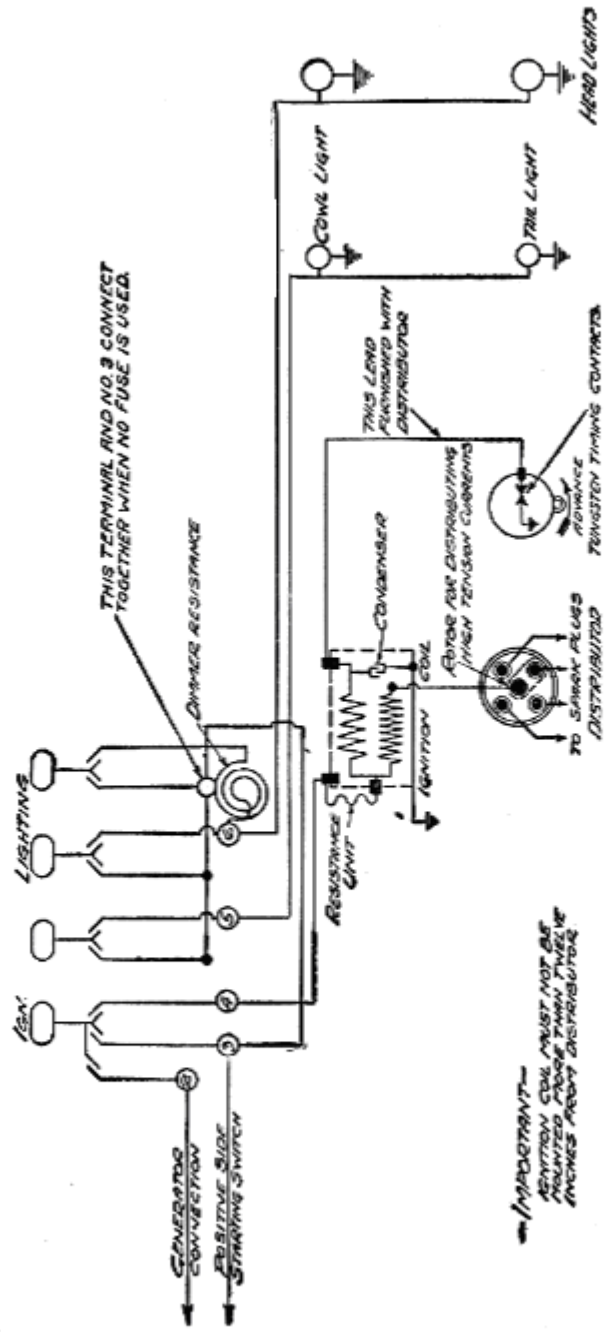


1124 Combination Switch

2162 Ignition Coil (2)

5186 Distributor

TEXAS MOTOR CAR ASSOCIATION—1918 MODEL

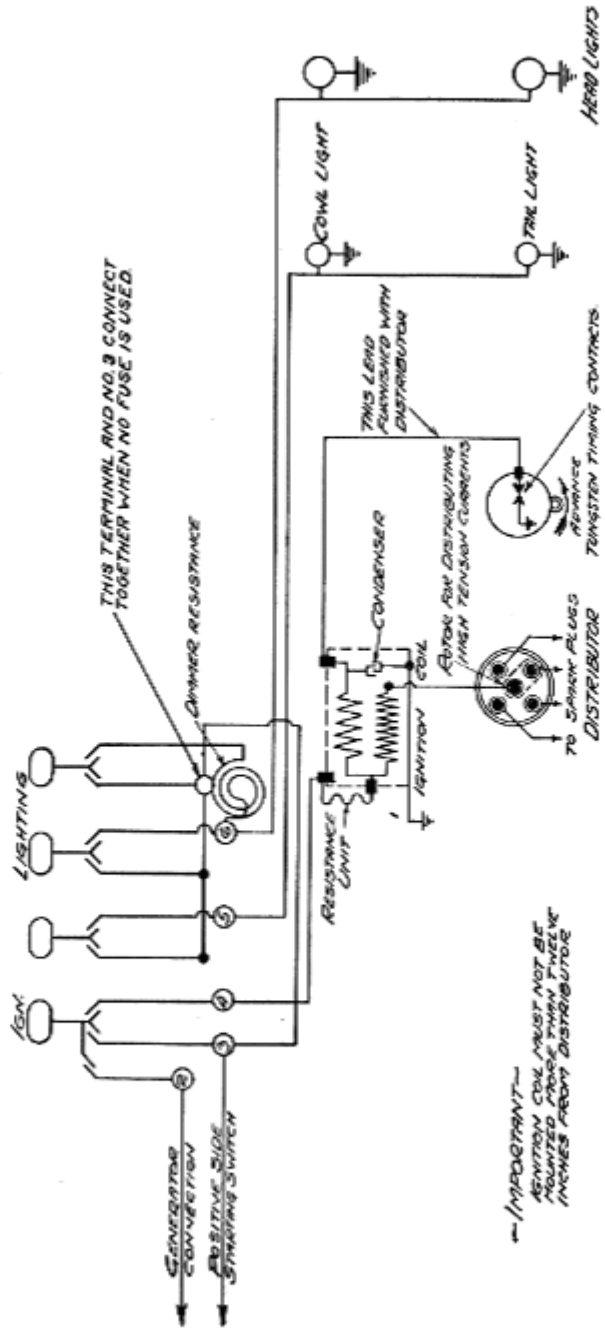


5187 Distributor

2138 Ignition Coil

1089 Combination Switch

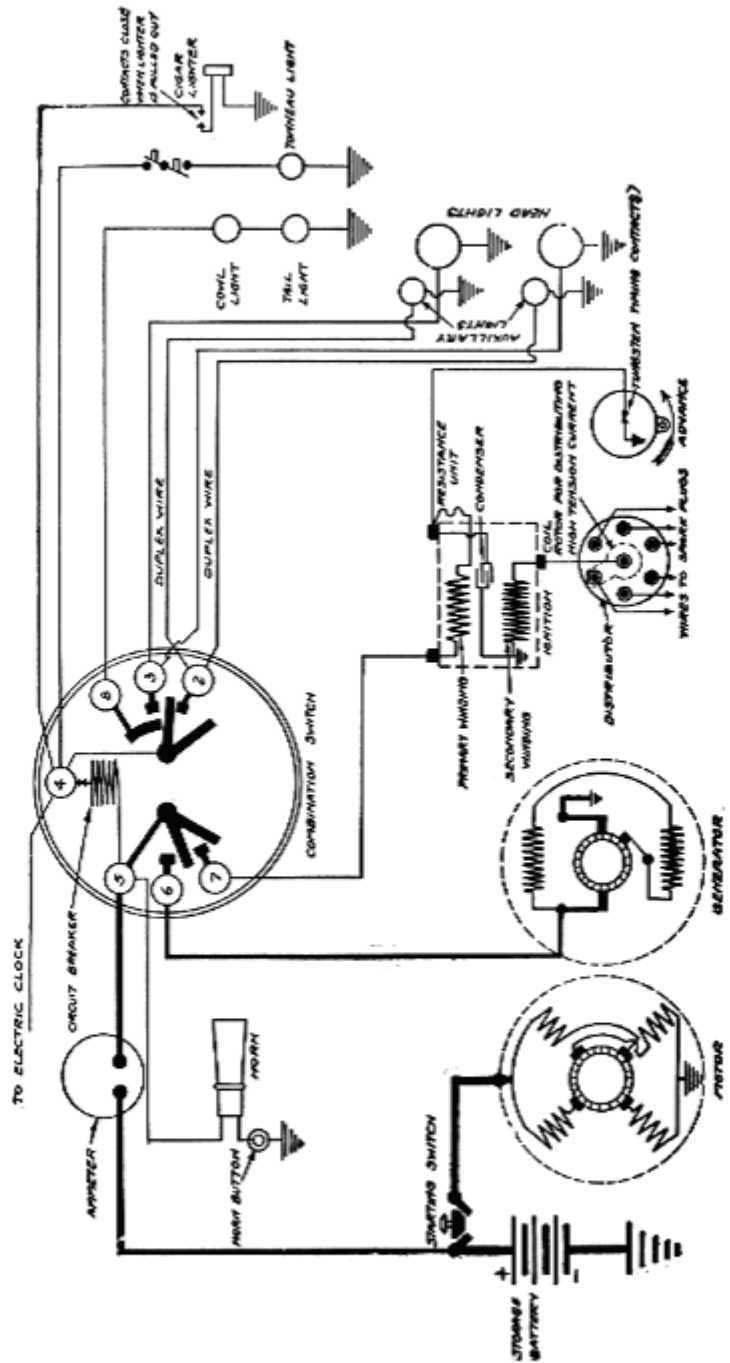
TULSA AUTOMOBILE CORPORATION—MODEL T-4



IMPORTANT—
IGNITION COIL MUST NOT BE
ADJUSTED TO MORE THAN 1/2
INCHES FROM DISTRIBUTOR

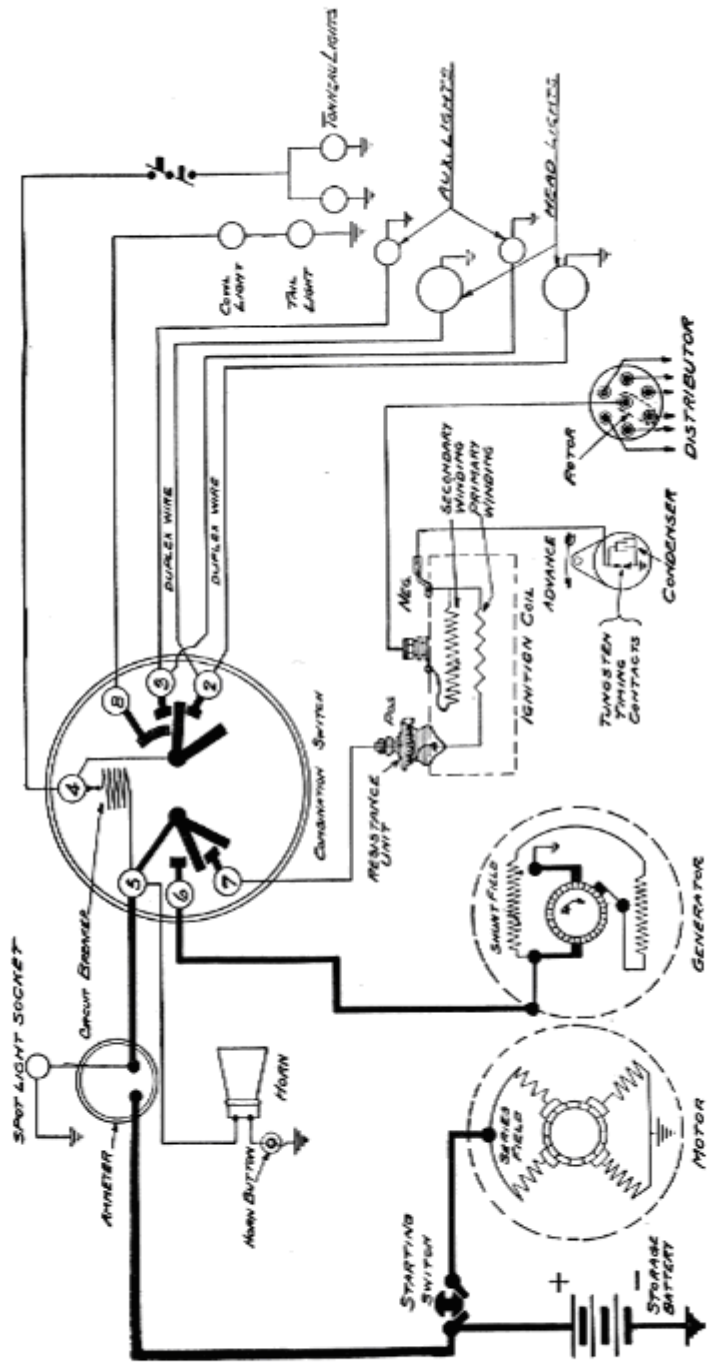
- 5160 Distributor
- 2138 Ignition Coil
- 1073 Combination Switch

WESTCOTT MOTOR CAR COMPANY—SERIES 18



- 101 Generator
- 1079 Combination Switch
- 2158 Ignition Coil
- 6058 Ammeter
- 1964 Motor Switch
- 102 Motor

WESTCOTT MOTOR CAR COMPANY—SERIES 19



- 135 Generator
- 5175 Distributor
- 2159 Ignition Coil
- 1079 Combination Switch
- 136 Motor
- 1964 Motor Switch

