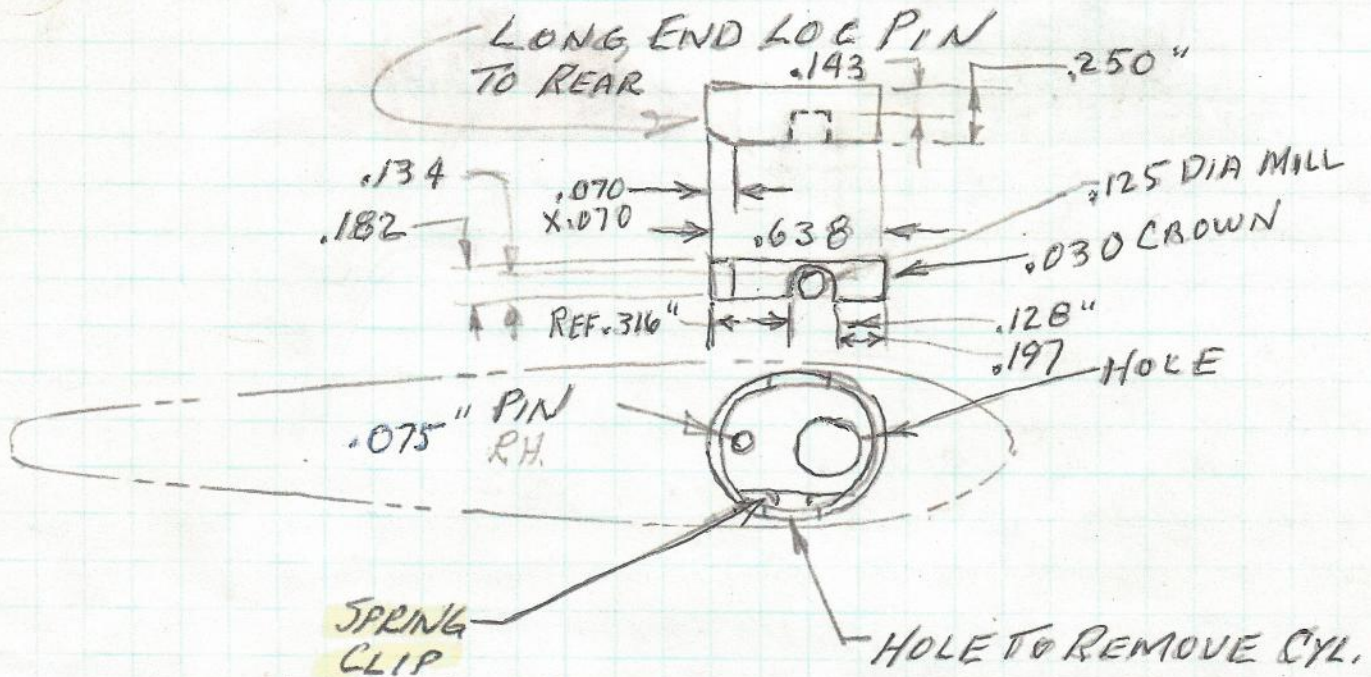


# LOCKING HANDLE

SEE TECH TALK FOR 2002 N07 PAGE 14 FOR ESCUTCHEON CLIP



DONT USE THIS  
WHEN REASSEMBLED

